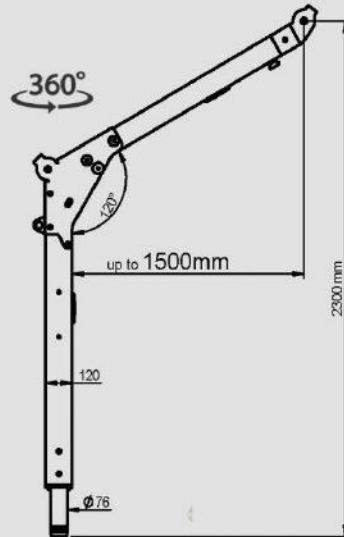


ARM EXTENDED DAVIT

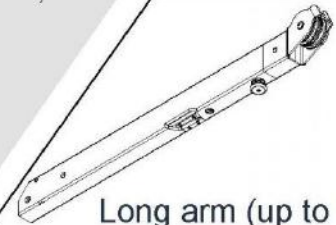
customizable 360° rotative davit with arm extended up to 1500mm



Al
ALUMINIUM
6063

Min 1200daN

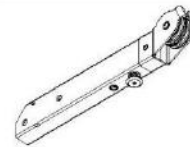
2 versions of Davit



Long arm (up to 1500mm)

5,7kg

EN795-A 2012



Short arm (800mm)

5,7kg

EN795-A 2012



Standard upright

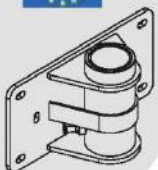
24,8kg

EN795-A 2012

3 versions of bases available

Wall base

EN795-A 2012



12,2kg

140kg

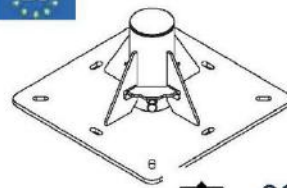
300kg

360°

MACHINERY DIRECTIVE
2006/42/CE

Floor base

EN795-A 2012



20,2kg

140kg

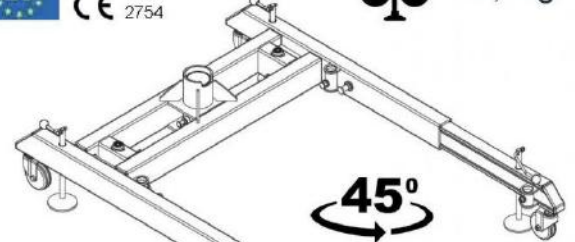
300kg

360°

MACHINERY DIRECTIVE
2006/42/CE

"U"base

EN795-B 2012
CE 2754



46,0kg

45°

140kg